

WINCORE™

WINDOWS & DOORS

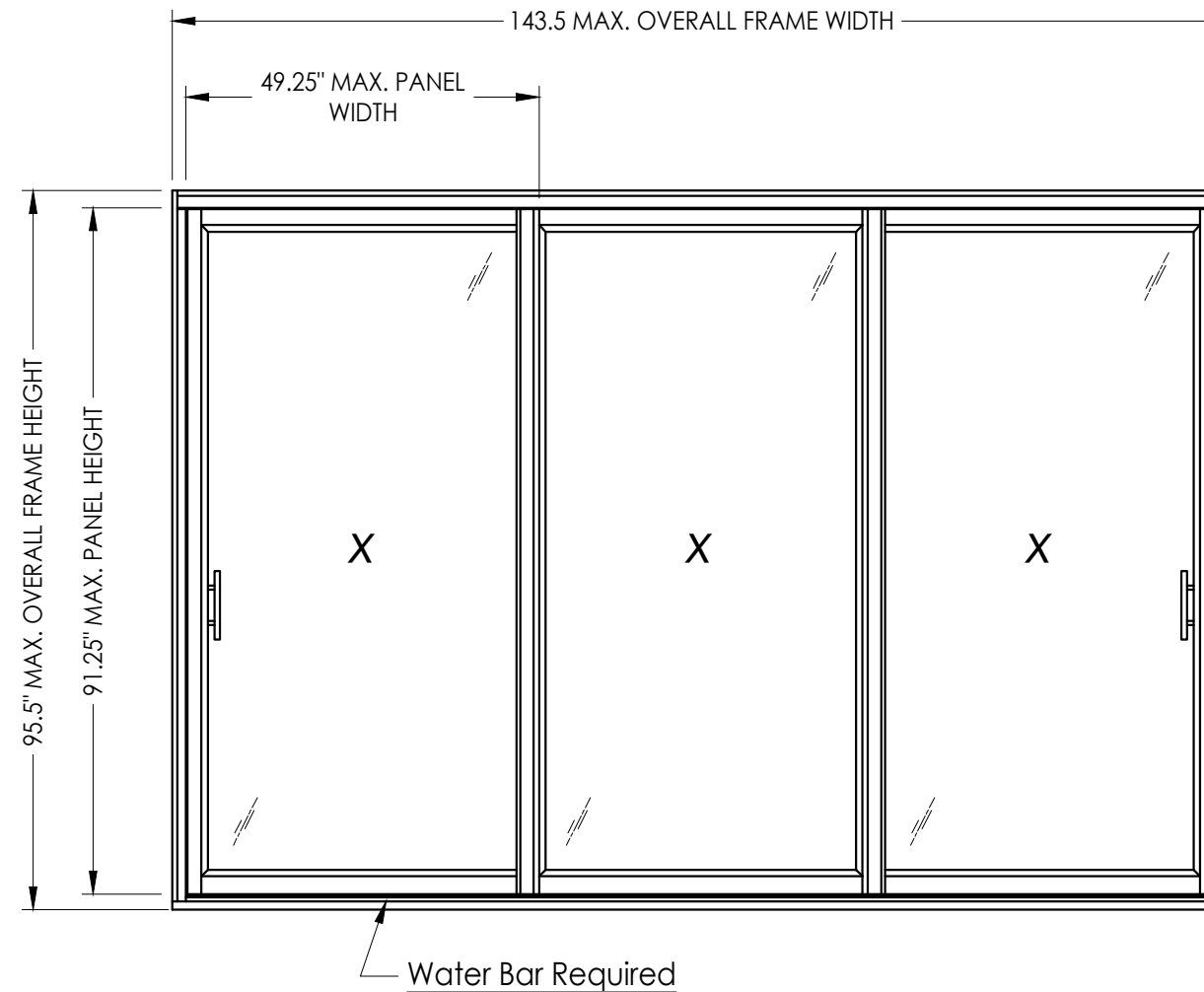
250 Staunton Turnpike, Parkersburg, WV 26104

8800 Series Vinyl Sliding Patio Door "IMPACT"

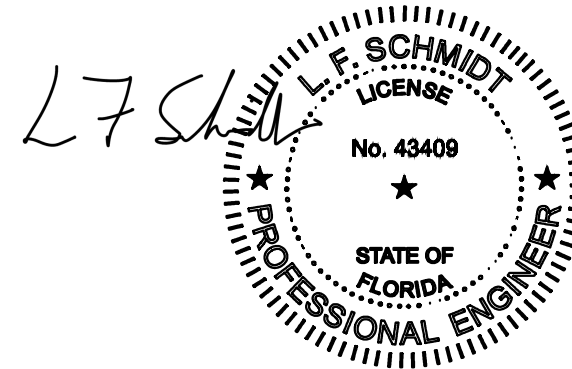
GENERAL NOTES

1. This product has been evaluated and is in compliance with the 8th Edition (2023) Florida Building Code (FBC) structural requirements excluding the "High Velocity Hurricane Zone" (HVHZ).
2. Product anchors shall be as listed and spaced as shown on details. Anchor embedment to base material shall be beyond wall dressing or stucco.
3. When used in areas requiring wind borne debris protection this product complies with FBC Sections 1609.1.2 & R301.2.1.2 and does not require an impact resistant covering. This product meets missile level "D" and excludes Wind Zone 4 as defined in ASTM E 1996 and FBC Sections 1609.1.2.2 & R301.2.1.2.1.
4. For 2x stud framing construction, anchoring of these units shall be the same as that shown for 2x buck masonry construction.
5. Site conditions that deviate from the details of this drawing require further engineering analysis by a licensed engineer or registered architect.

TABLE OF CONTENTS	
SHEET #	DESCRIPTION
1	Typical elevation, design pressures & general notes
2	Horizontal and vertical cross sections
3	Horizontal and vertical cross sections
4	Buck & frame anchoring
5	Components
6	Bill of materials & glazing detail



OVERALL FRAME DIMENSION	MAX. PANEL DIMENSION	MAX. D.L.O. DIMENSION	GLASS TYPE	DESIGN PRESSURE (PSF)	
				POSITIVE	NEGATIVE
143.5" x 95.5"	49.25" X 91.25"	42.375" X 85.0"	G1	+50.0	-50.0



This item has been digitally signed and sealed by L. F. Schmidt, P.E. on the date adjacent to the seal. Printed copies of this document are not considered signed and sealed and the signature must be verified on any electronic copies.

THIS PRODUCT APPROVAL IS VALID ONLY FOR THE STATE OF FLORIDA

Documents Prepared By: Lyndon F. Schmidt P.E. No. 43409

BUILDING CONSULTANTS, INC. P.O. Box 230, Vairico, FL 33595 Phone No.: 813.659.9197 .FBPE Registry No. 9813

PRODUCT: 8800 SERIES VINYL SLIDING PATIO DOORS

PART OR ASSEMBLY: TYPICAL ELEVATION, DESIGN PRESSURES & GENERAL NOTES

NO.	DATE	BY	REVISIONS
1	7/06/23	LFS	UPDATE TO 8TH ED. (2023) FBC

DATE: 7/18/22

SCALE: N.T.S.

DWG. BY: LFS

CHK. BY: RW

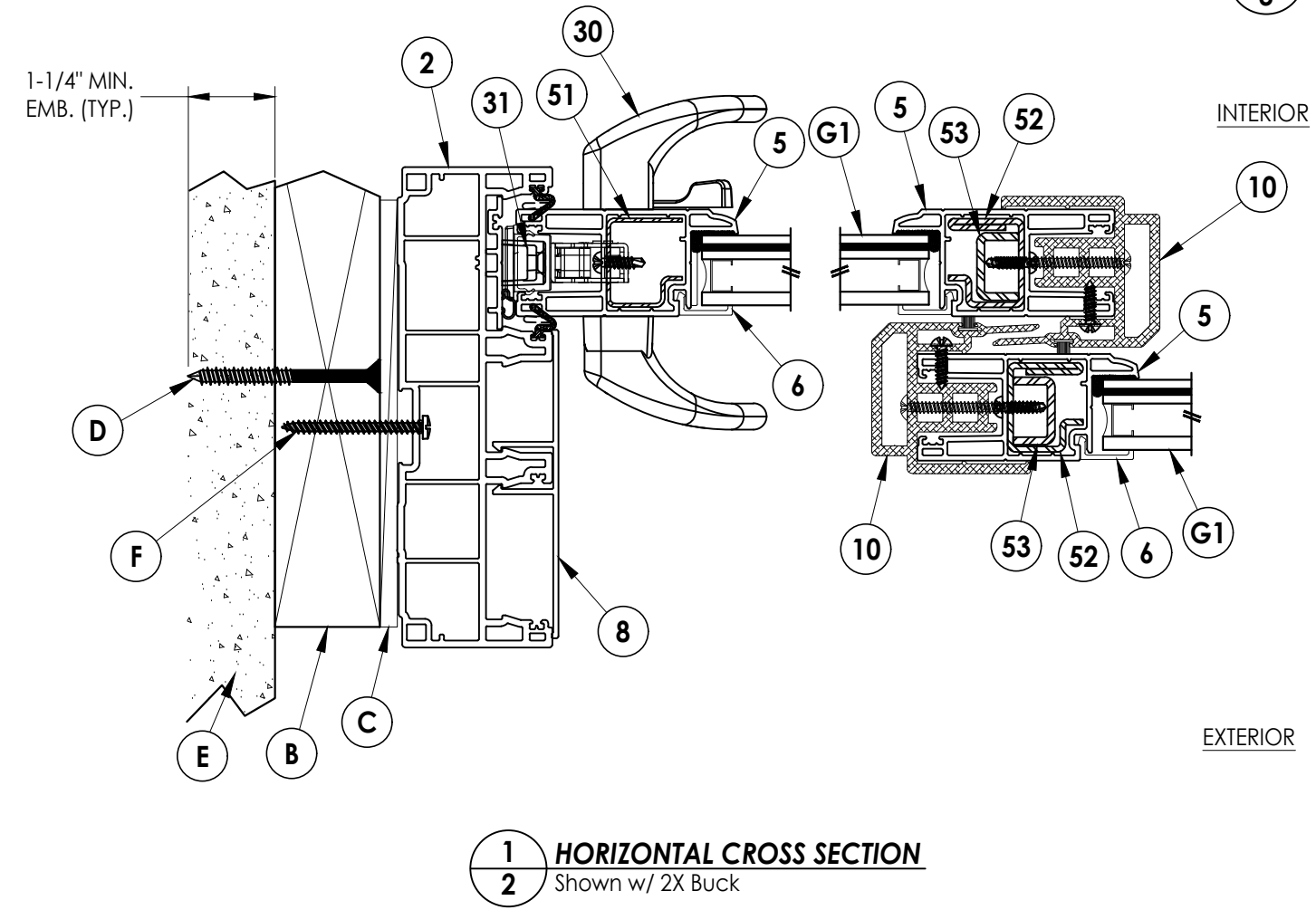
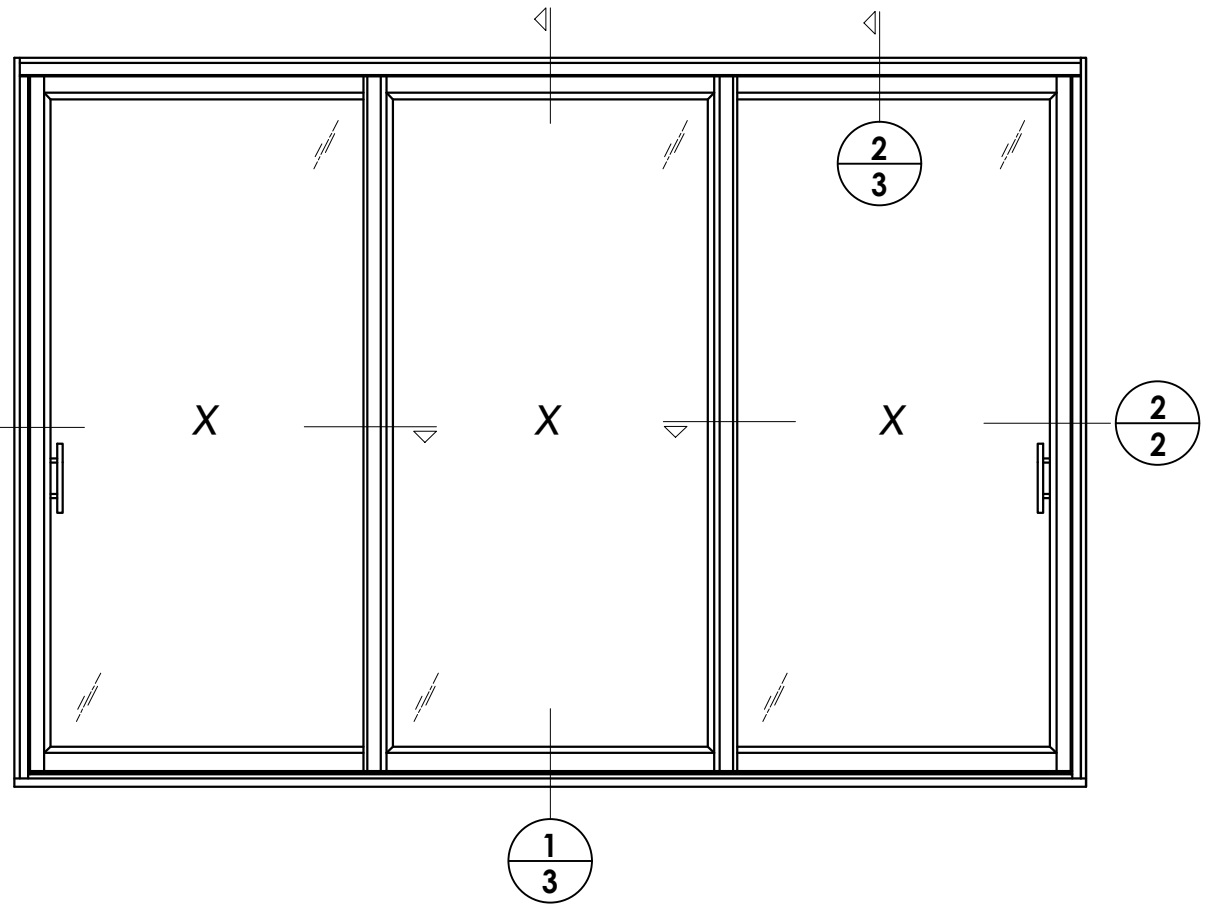
DRAWING NO.: FL-16216.16

SHEET 1 OF 6

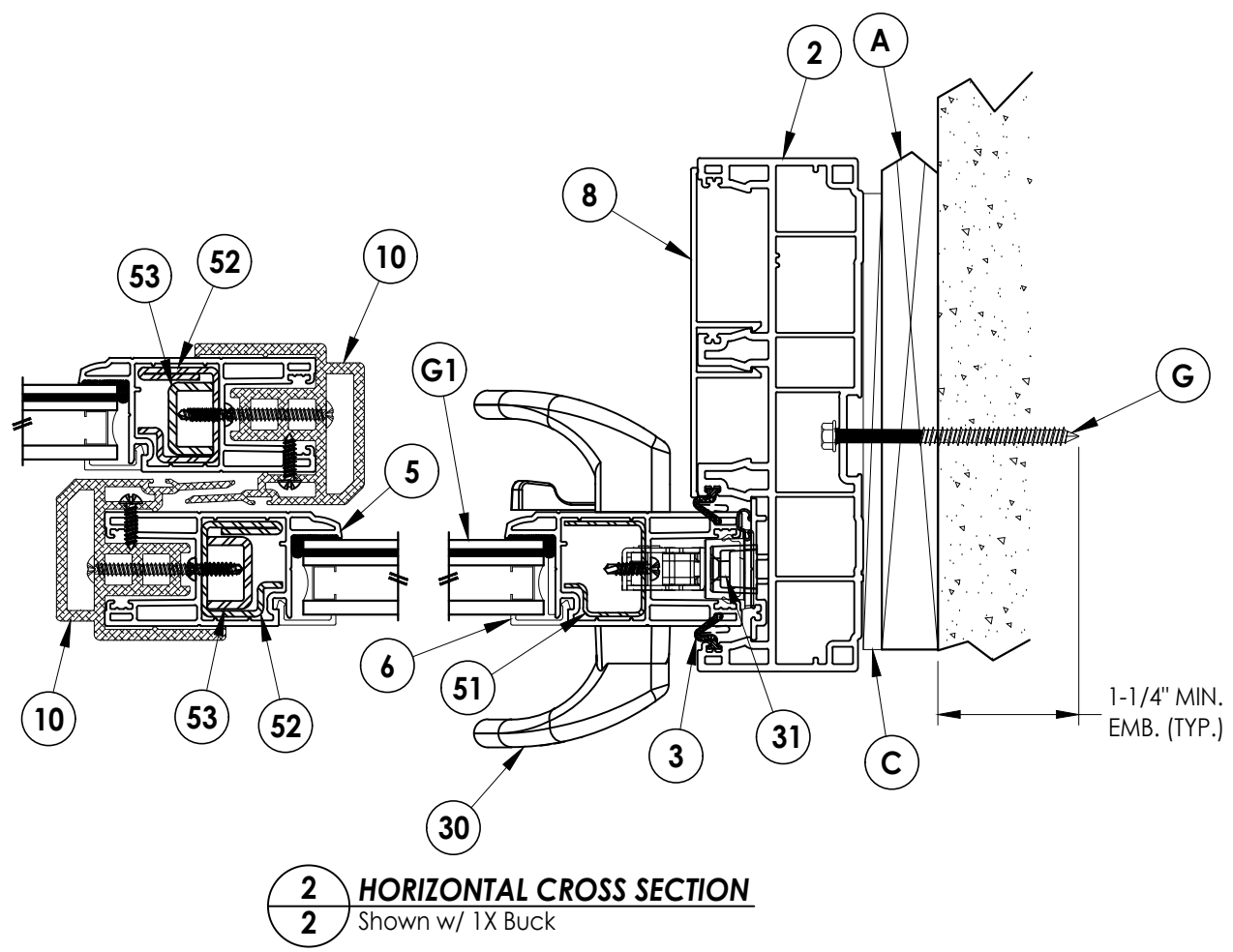
© 2022 R.W. BUILDING CONSULTANTS INC.

Z:\2023 FBC Drawings\Wincore Window Company\FL-16216 R14\FL-16216.16.dwg

Z:\2023 Drawings\Wincore Window Company\FL-16216 R14\FL-16216.16.dwg



1 **HORIZONTAL CROSS SECTION**
2 Shown w/ 2X Buck



2 **HORIZONTAL CROSS SECTION**
2 Shown w/ 1X Buck

Documents Prepared By:
 Lyndon F. Schmidt
 P.E. No. 43409

RW BUILDING CONSULTANTS, INC.
 P.O. Box 230, Valrico, FL 33595
 Phone No.: 813.659.9197
 .FBPE Registry No. 9813

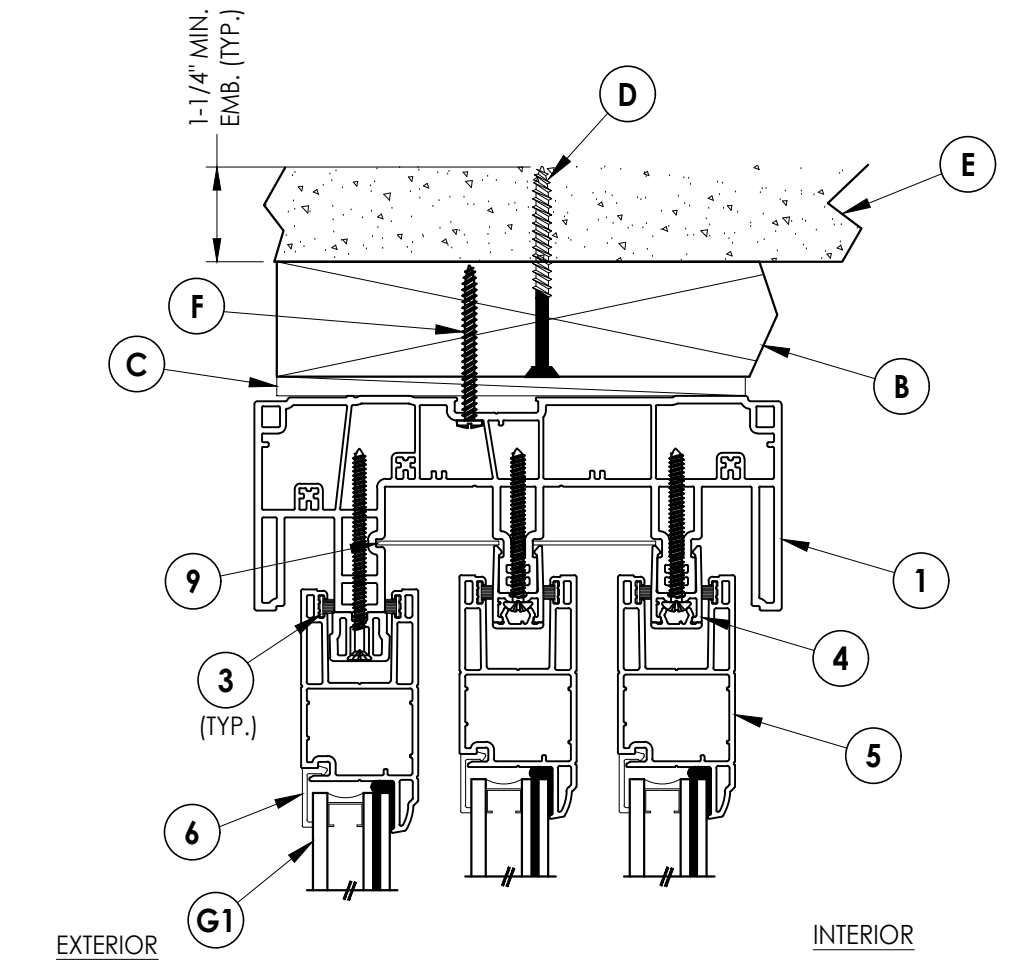
PRODUCT:
**8800 SERIES VINYL
 SLIDING PATIO DOORS**

PART OR ASSEMBLY:
**HORIZONTAL & VERTICAL
 CROSS SECTIONS**

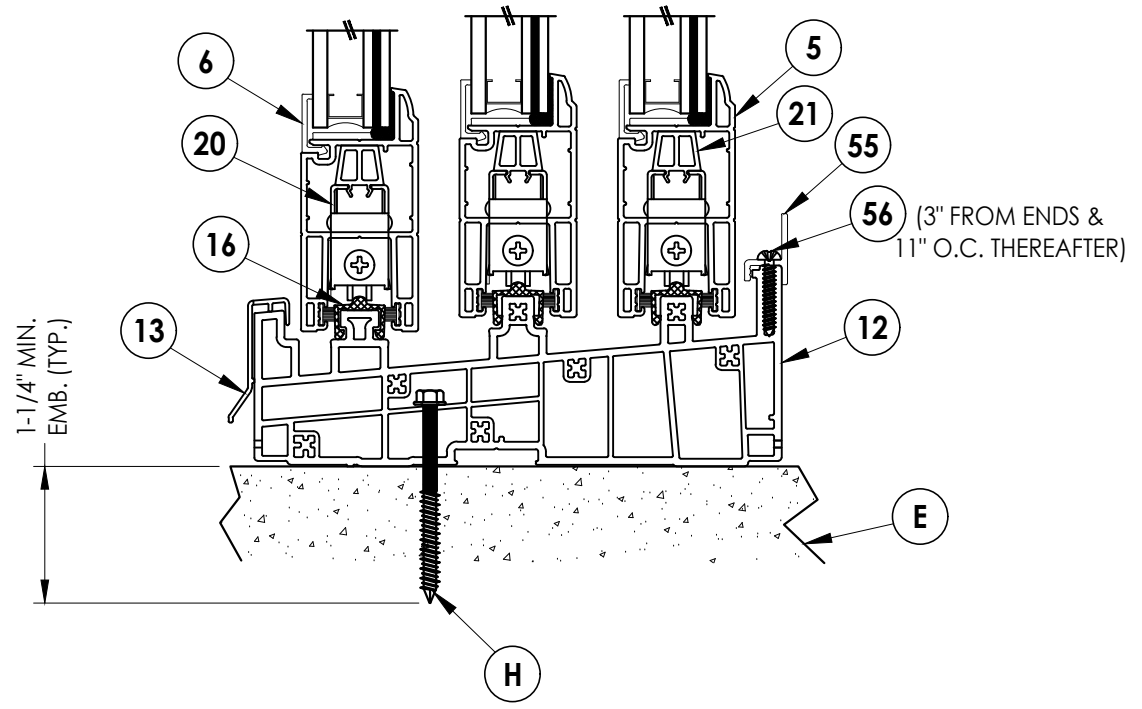
NO.	DATE	REVISIONS	LFS	BY
1	7/06/23	UPDATE TO 8TH ED. (2023)	FBC	

DATE: 7/18/22
 SCALE: N.T.S.
 DWG. BY: LFS
 CHK. BY: RW
 DRAWING NO.:
 FL-16216.16
 SHEET 2 OF 6

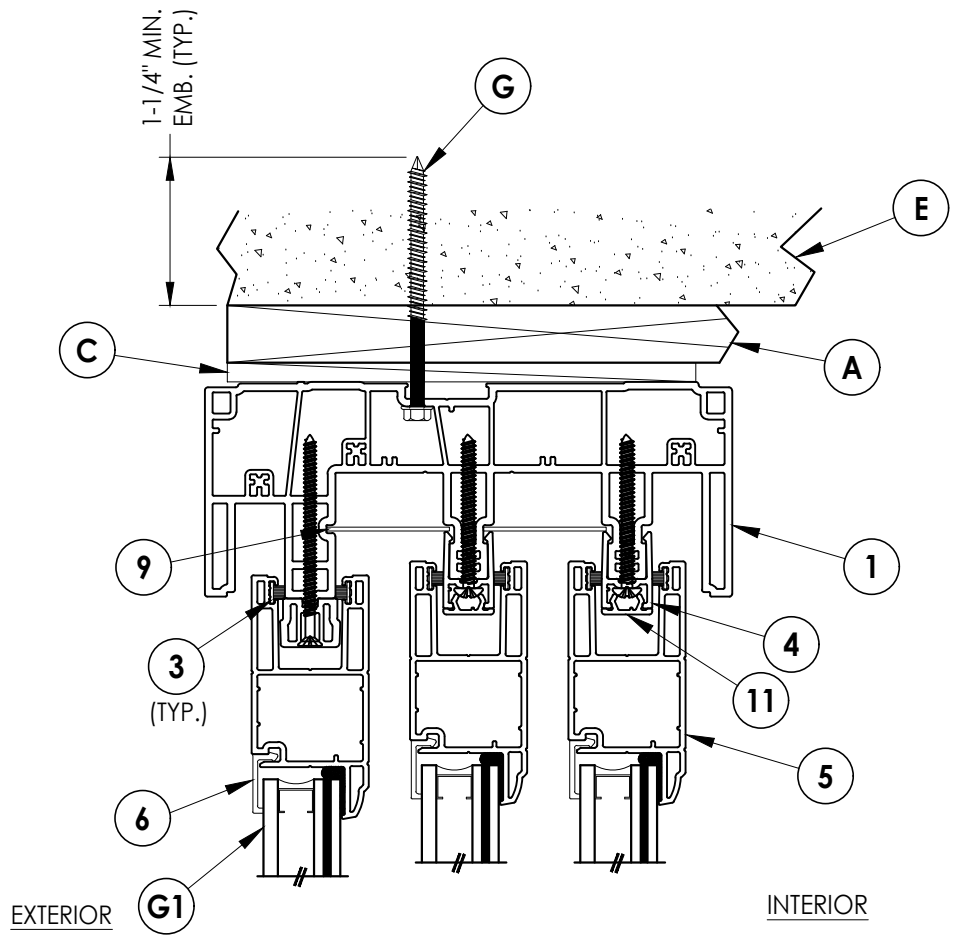
© 2022 R.W. BUILDING CONSULTANTS INC.



1 VERTICAL CROSS SECTION
 3 Shown w/ 2X Buck & Head & Direct to Masonry @ Sill



2 VERTICAL CROSS SECTION
 3 Shown w/ 1X Buck



3 VERTICAL CROSS SECTION
 3 Shown w/ 1X Buck

DATE:	7/18/22
SCALE:	N.T.S.
DWG. BY:	LFS
CHK. BY:	RW
DRAWING NO.:	FL-16216.16
SHEET	3 OF 6

NO.	DATE	REVISIONS	BY
1	7/06/23	UPDATE TO 8TH ED. (2023) FBC	LFS

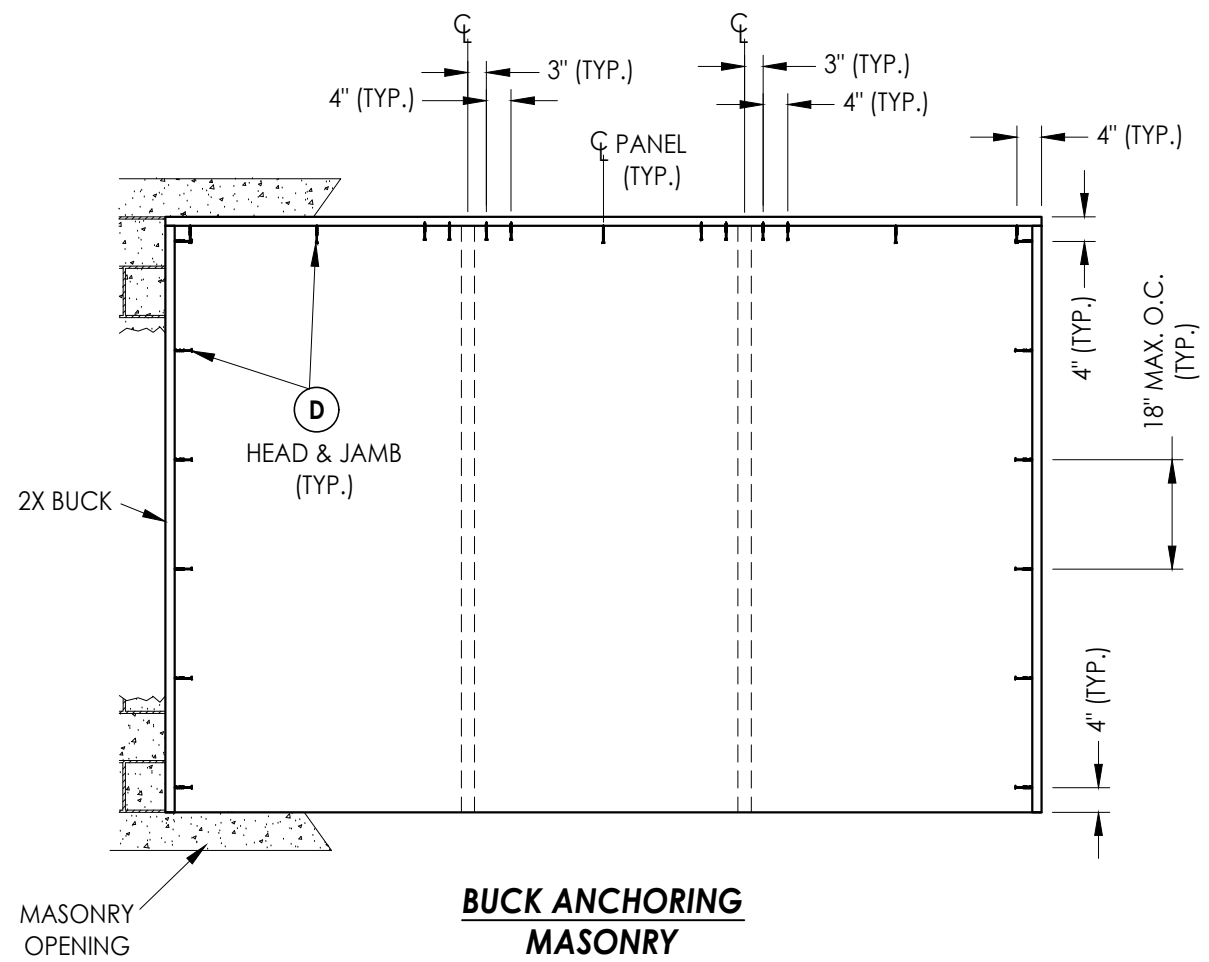
PRODUCT:
 8800 SERIES VINYL
 SLIDING PATIO DOORS

PART OR ASSEMBLY:
 HORIZONTAL & VERTICAL
 CROSS SECTIONS

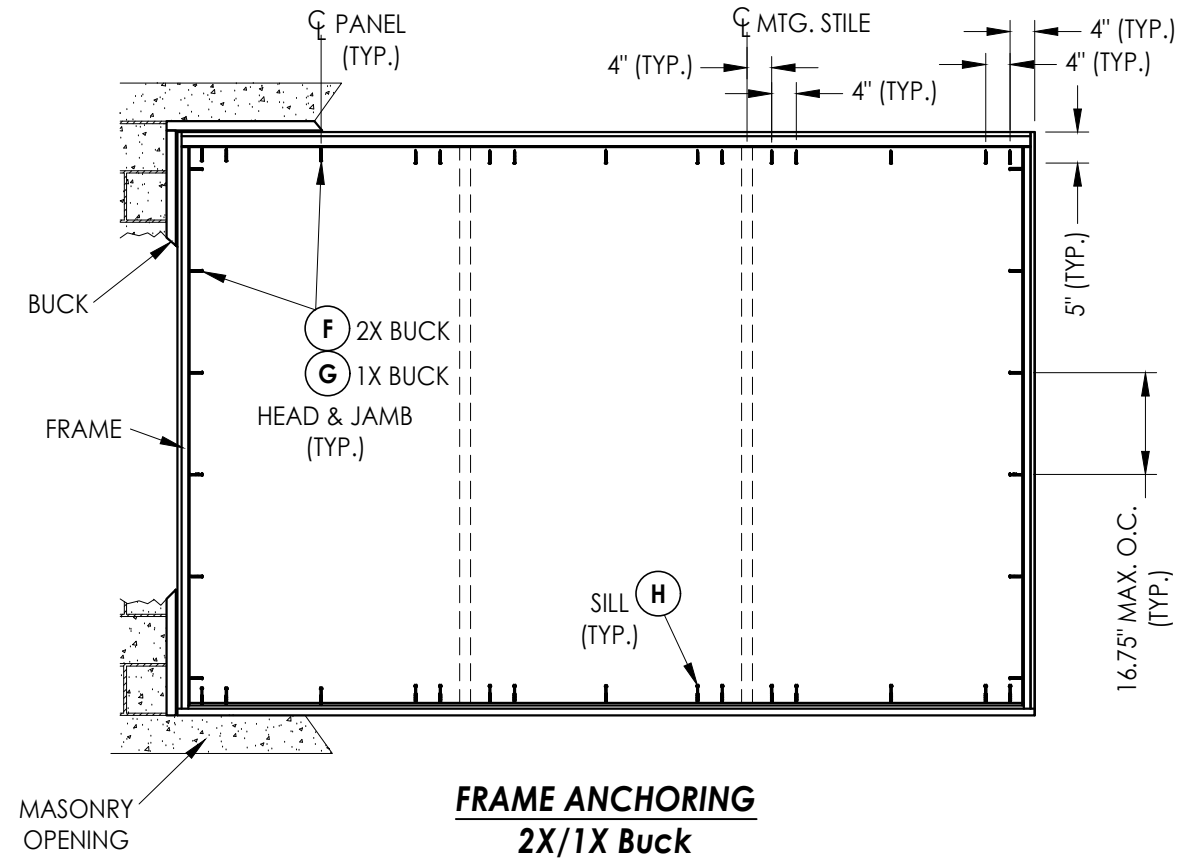
Documents Prepared By:
 Lyndon F. Schmidt
 P.E. No. 43409

RW BUILDING CONSULTANTS, INC.
 P.O. Box 230, Valrico, FL 33595
 Phone No.: 813.659.9197
 . FBPE Registry No. 9813

Z:\2023 FBC Drawings\Wincore Window Company\FL-16216 R14\FL-16216.16.dwg



**BUCK ANCHORING
MASONRY**



**FRAME ANCHORING
2X/1X Buck**

CONCRETE ANCHOR NOTES:

1. Concrete anchor locations at the corners may be adjusted to maintain the min. edge distance to mortar joints.
2. Concrete anchor locations noted as "MAX. ON CENTER" must be adjusted to maintain the min. edge distance to mortar joints, additional concrete anchors may be required to ensure the "MAX. ON CENTER" dimension are not exceeded.
3. Concrete anchor table:

ANCHOR TYPE	ANCHOR SIZE	MIN. EMBEDMENT	MIN. CLEARANCE TO MASONRY EDGE	MIN. CLEARANCE TO ADJACENT ANCHOR
ITW TAPCON®	1/4"	1-1/4"	2"	4"
DeWALT ULTRACON®	1/4"	1-1/4"	1"	4"

WOOD SCREW INSTALLATION NOTES:

1. Maintain a minimum 5/8" edge distance, 1" end distance, & 1" o.c. spacing of wood screws to prevent the splitting of wood.

Documents Prepared By:
Lyndon F. Schmidt
P.E. No. 43409

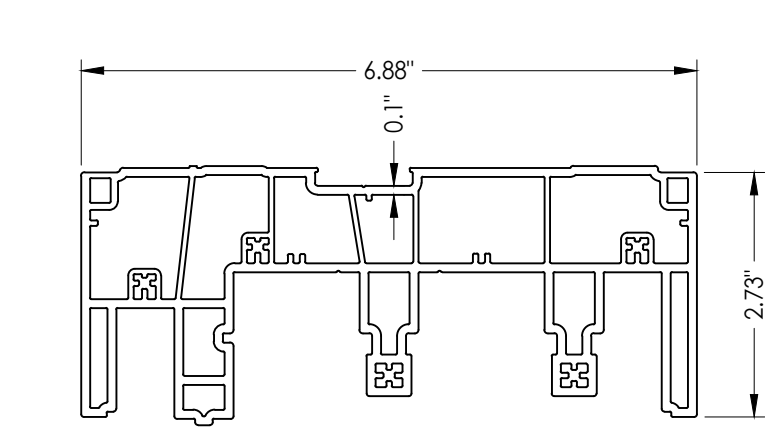
RW BUILDING CONSULTANTS, INC.
P.O. Box 230, Vairico, FL 33595
Phone No.: 813.659.9197
.FBPE Registry No. 9813

PRODUCT:
8800 SERIES VINYL
SLIDING PATIO DOORS

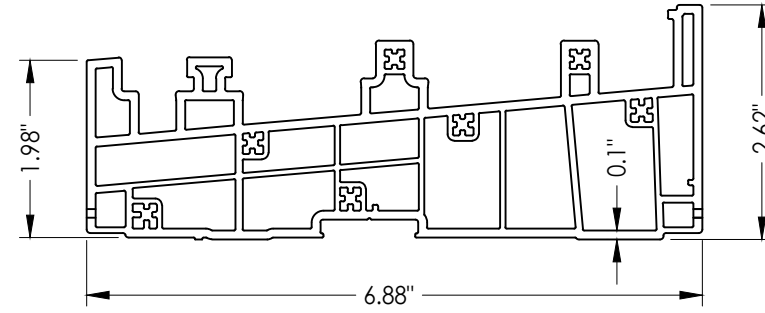
PART OR ASSEMBLY:
BUCK & FRAME
ANCHORING

NO.	DATE	REVISIONS
1	7/06/23	UPDATE TO 8TH ED. (2023) FBC

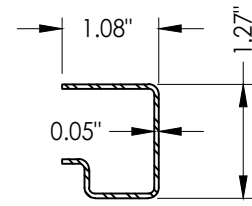
DATE: 7/18/22
SCALE: N.T.S.
DWG. BY: LFS
CHK. BY: RW
DRAWING NO.: FL-16216.16
SHEET 4 OF 6



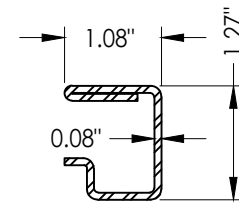
1 FRAME HEAD



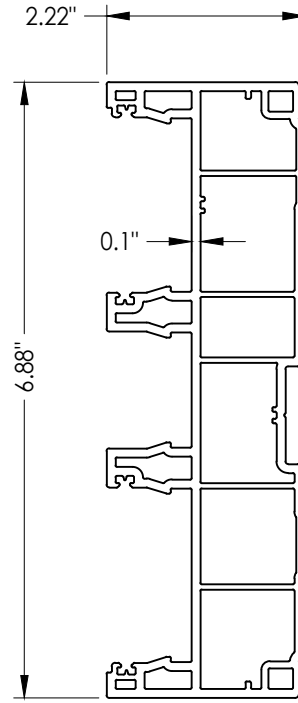
12 FRAME SILL



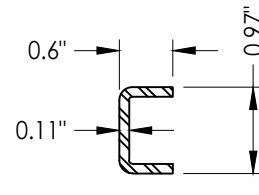
51 REINFORCEMENT
Lock Stile



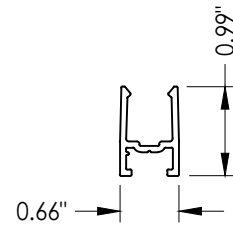
52 REINFORCEMENT
Meeting rail



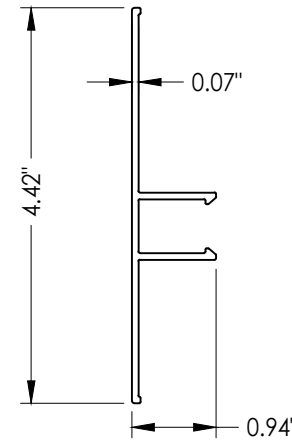
2 FRAME JAMB



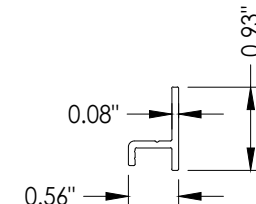
53 REINFORCEMENT
Meeting rail



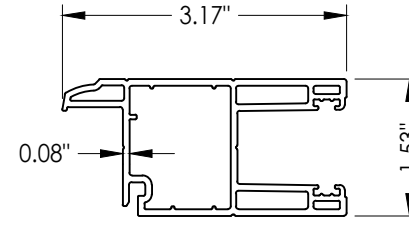
4 HEAD TRACK



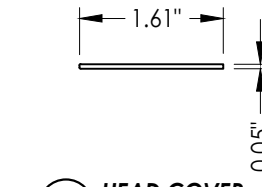
8 JAMB COVER



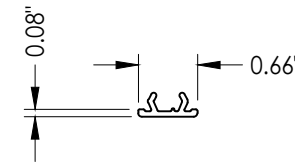
55 WATER BAR



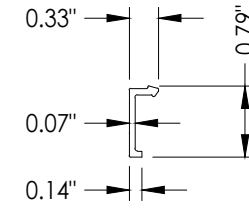
5 STILE & RAIL



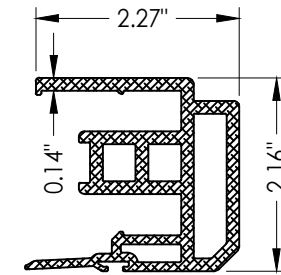
9 HEAD COVER



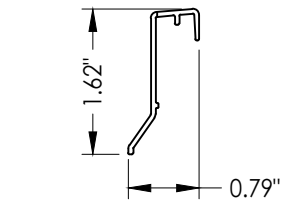
11 HEAD COVER RAIL



6 GLAZING BEAD



10 INTERLOCK



13 SILL CLADDING

Documents Prepared By:
Lyndon F. Schmidt
P.E. No. 43409

RW BUILDING CONSULTANTS, INC.
P.O. Box 230, Valrico, FL 33595
Phone No.: 813.659.9197
FBPE Registry No. 9813

PRODUCT:
8800 SERIES VINYL
SLIDING PATIO DOORS

PART OR ASSEMBLY:
COMPONENTS

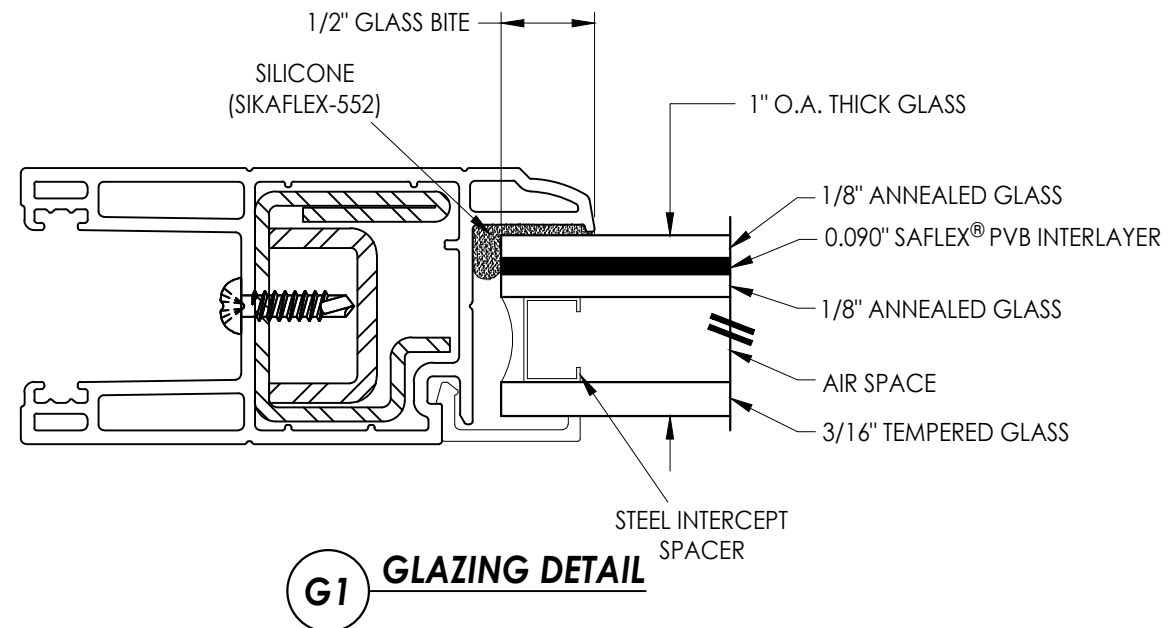
NO.	DATE	DESCRIPTION	BY
1	7/06/23	UPDATE TO 8TH ED. (2023) FBC	LFS

REVISIONS

DATE: 7/18/22
SCALE: N.T.S.
DWG. BY: LFS
CHK. BY: RW
DRAWING NO.: FL-16216.16
SHEET 5 OF 6

BILL OF MATERIALS		
ITEM #	DESCRIPTION	MATERIAL
A	1X BUCK (G >= 0.42)	WOOD
B	2X BUCK (G >= 0.42)	WOOD
C	1/4" MAX. SHIM SPACE	-
D	1/4" X 2-3/4" FH DeWALT OR ITW CONCRETE SCREW	STEEL
E	MASONRY - 3,000 PSI MIN. CONCRETE CONFORMING TO ACI 301 OR HOLLOW BLOCK CONFORMING TO ASTM C90	CONCRETE
F	#10 X 2 PH SMS (1-3/8" MIN. EMBEDMENT)	STEEL
G	1/4" X 3-1/4" HWH DeWALT OR ITW CONCRETE SCREW	STEEL
H	1/4" X 2-3/4" HWH DeWALT OR ITW CONCRETE SCREW	STEEL
1	FRAME HEAD*	PVC
2	FRAME JAMB*	PVC
3	WEATHERSTRIP	-
4	HEAD TRACK*	PVC
5	STILE & RAIL*	PVC
6	GLAZING BEAD (1" GLAZING)*	PVC
8	JAMB COVER*	PVC
9	HEAD COVER*	PVC
10	INTERLOCK	ALUM
11	HEAD COVER RAIL*	PVC
12	SILL*	PVC
13	SILL CLADDING	ALUM
16	SLIDING RAIL	ALUM
20	TANDEM WHEEL	-
21	TANDEM WHEEL SETTING BLOCK	PVC
30	HANDLE KIT	-
31	STAINLESS STEEL DOUBLE POINT MORTISE LOCK KIT	STEEL
32	INERTIOR HANDLE KIT	-
51	LOCK STILE REINFORCEMENT	STEEL
52	MEETING STILE REINFORCEMENT	STEEL
53	MEETING STILE REINFORCEMENT	STEEL
55	WATER BAR	ALUM
56	#8 X 1" PPH SMS	SS

* THE APPROVED WHITE RIGID PVC EXTERIOR EXTRUSIONS FOR WINDOWS ARE TO BE PRODUCED BY EXTRUDERS LICENSEES IN "AAMA CERTIFICATION PROGRAMS FOR RIGID PVC EXTRUSIONS".



G1 GLAZING DETAIL

Documents Prepared By:
 Lyndon F. Schmidt
 P.E. No. 43409

RW
 BUILDING CONSULTANTS, INC.
 P.O. Box 230, Valrico, FL 33595
 Phone No.: 813.659.9197
 FBPE Registry No. 9813

PRODUCT:
 8800 SERIES VINYL
 SLIDING PATIO DOORS

PART OR ASSEMBLY:
 BILL OF MATERIALS &
 GLAZING DETAIL

NO.	DATE	DESCRIPTION	BY
1	7/06/23	UPDATE TO 8TH ED. (2023)	LFS
			FBC

DATE: 7/18/22
 SCALE: N.T.S.
 DWG. BY: LFS
 CHK. BY: RW
 DRAWING NO.: FL-16216.16
 SHEET 6 OF 6